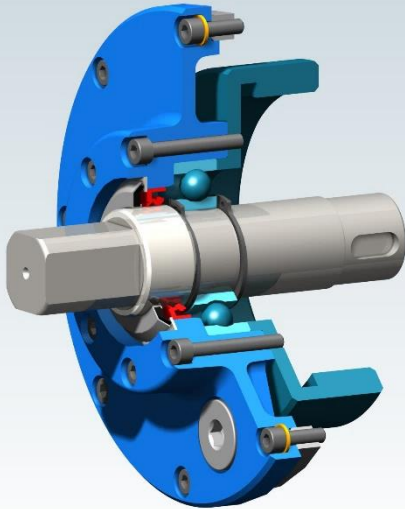
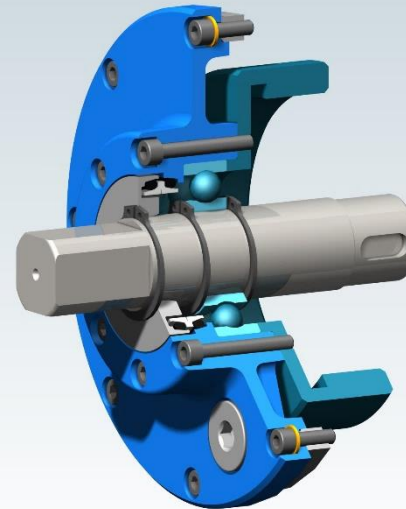
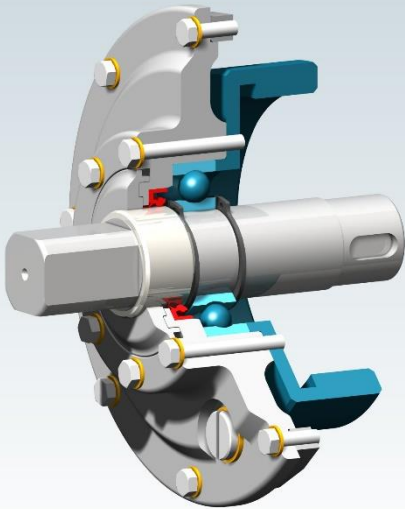
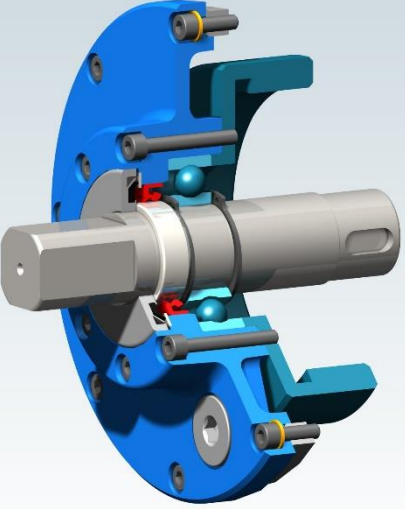
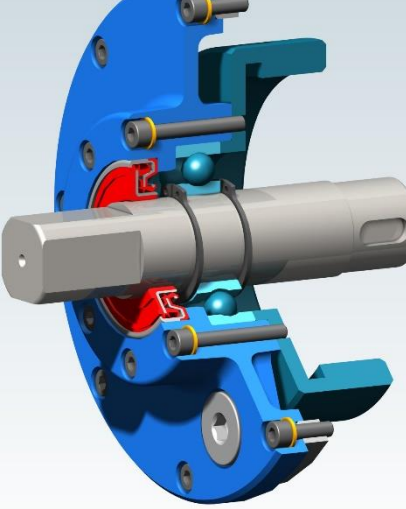
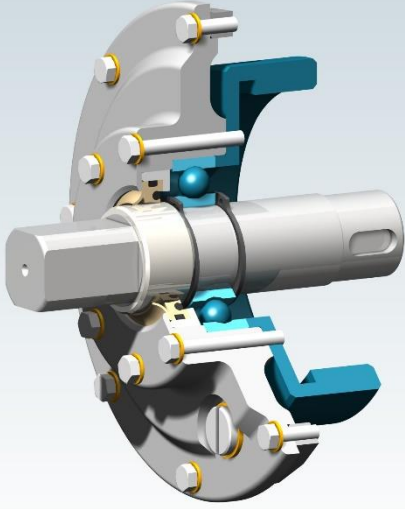
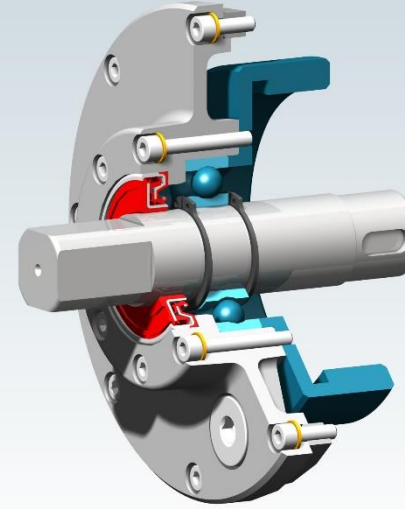




STANDARD SEALINGS

| mildsteel drummotors | | stainless steel drummotors | |
|--|---|---|--|
|  <p>RB - IP 66</p> <p>Van der Graaf's standard sealing. This type of sealing will work in most conditions.</p> <p>(TM100.25 - TM500.60)</p> |  <p>MFS - IP 66</p> <p>MFS sealing is developed for the most extreme applications, like sand, dirt and mud, open mining, power plants or tunneling.</p> <p>(TM500.75 and up)</p> |  <p>CR - IP 66</p> <p>Our standard sealing for stainless steel drummotors. A very effective, multi-labyrinth sealing.</p> <p>(TM100.25 - TM315.50)</p> | |

SPECIAL SEALINGS

| mildsteel drummotors | | stainless steel drummotors | |
|---|--|---|--|
|  <p>RBS - IP 66</p> <p>RBS sealing is specifically designed for those applications where high water pressure is used for cleaning.</p> <p>(TM100.25 - TM500.60)</p> |  <p>HD-1 - IP 66</p> <p>HD sealing is designed for very abrasive applications.</p> <p>(TM80.20 – TM400.50)</p> |  <p>CRFS - IP 69K</p> <p>Specifically designed for the food industry where high water pressure is used for cleaning.</p> <p>(TM100.25 – TM315.40)</p> |  <p>HD-2 - IP 68</p> <p>This sealing is suitable for Under Water applications. Depth down to approx. 3 m.</p> <p>(TM80.20 – TM400.50) Only option1</p> |